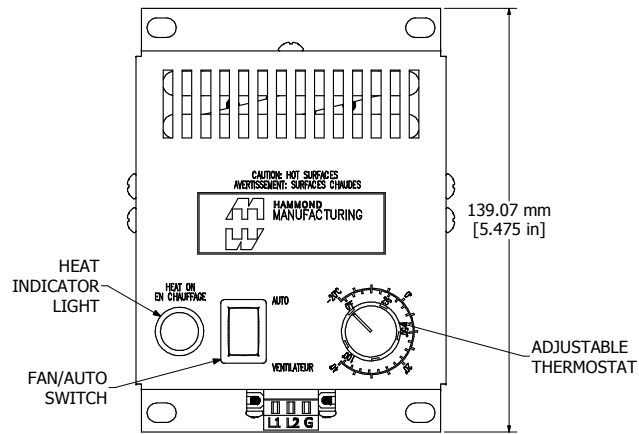
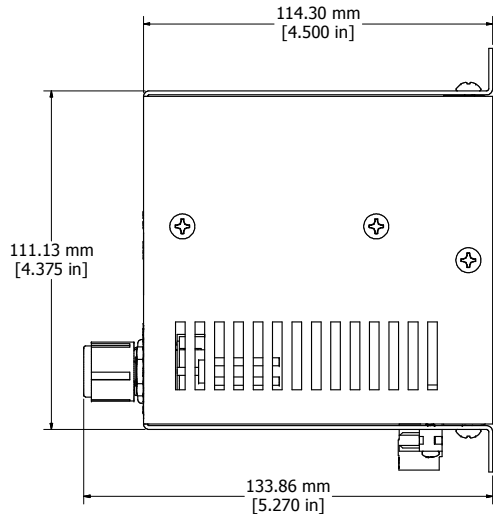


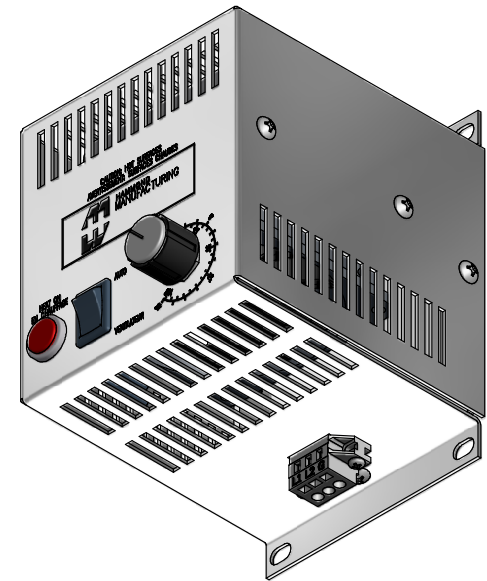
8 7 6 5 4 3 2 1



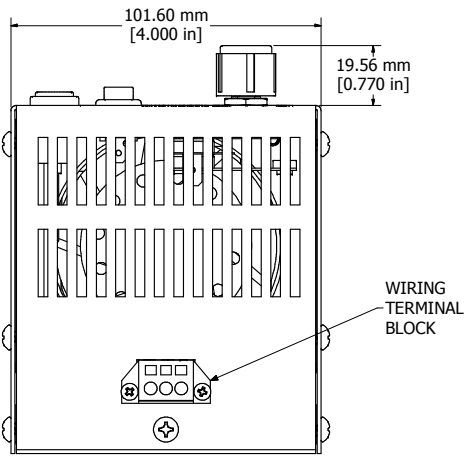
ASSEMBLY - VIEW FROM FRONT



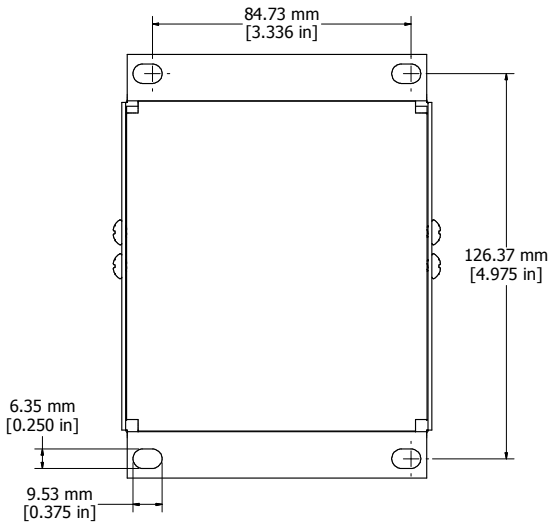
ASSEMBLY - VIEW FROM SIDE



ISOMETRIC VIEW



ASSEMBLY - VIEW FROM BOTTOM



ASSEMBLY - VIEW FROM BACK

<b>FLHTF125A230</b>
Housing - Aluminum Alloy
Rating - 220/240 VAC, 50/60 Hz, 105/125 W
Approvals - UL Recognized Standard UL 508A - CSA Standard C22.2 No. 88

**HAMMOND MANUFACTURING™**  
**FLHTH125A230**  
www.hammondmfg.com

8 7 6 5 4 3 2 1